

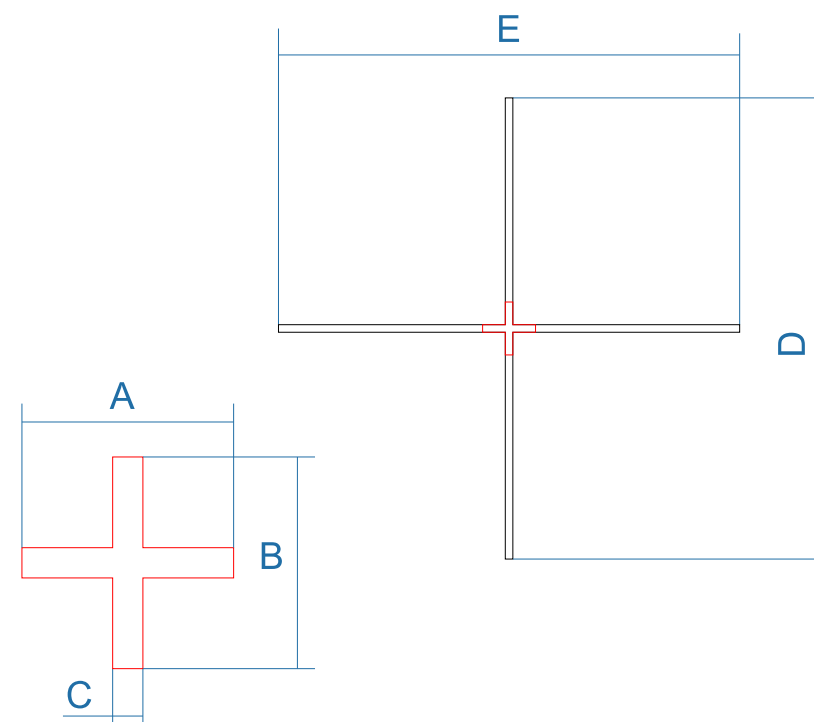


Saim SCH50
Thermal Imaging Scope

 **Reticle
Catalogue**



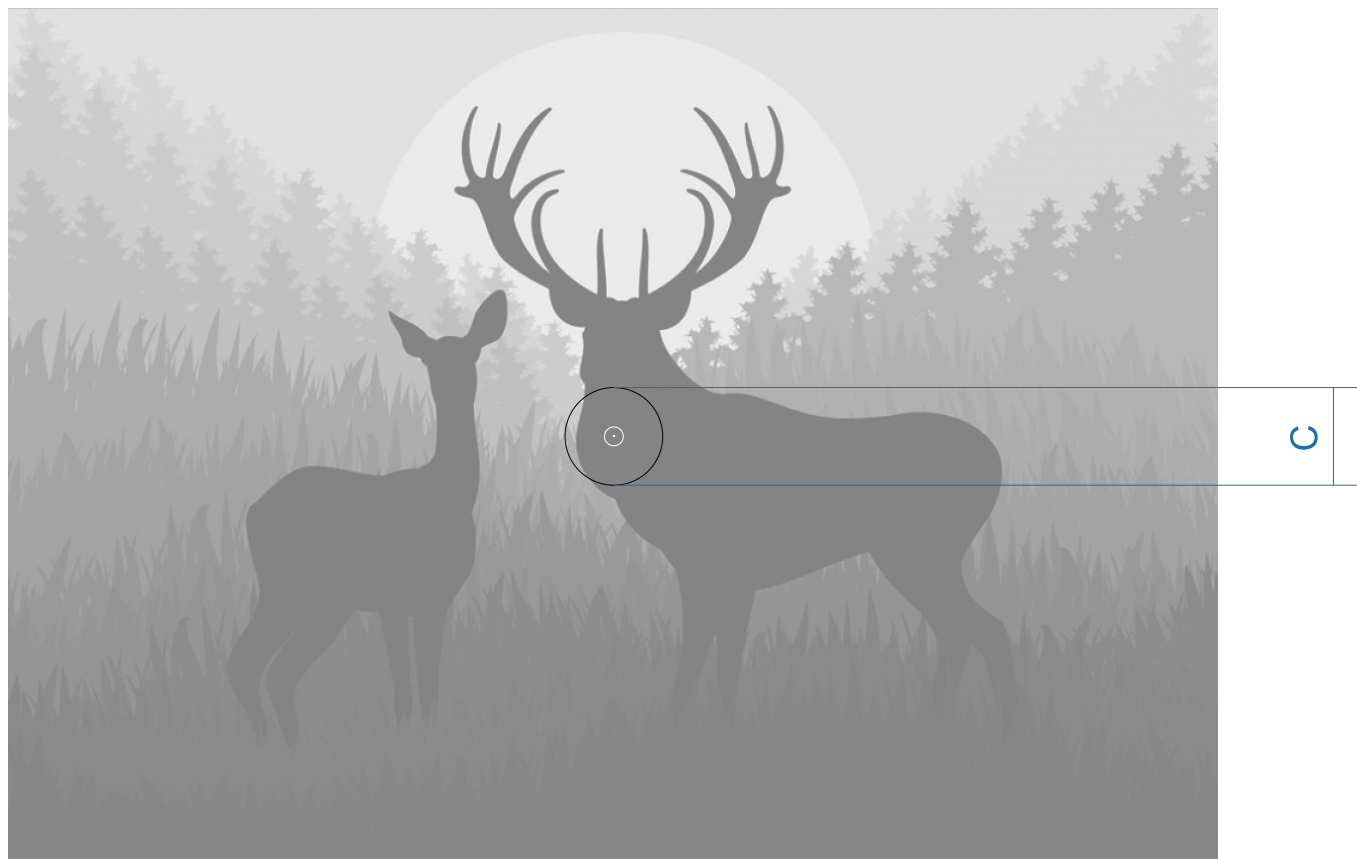
Reticle Parameters



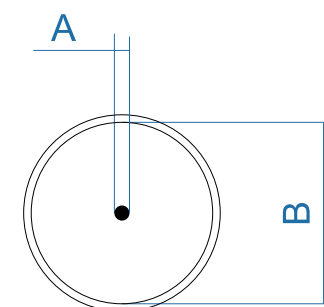
Saim Series

Thermal Imaging Scope

Model	MOA	cm @100m
Section A	3.6	10.5
Section B	3.6	10.5
Section C	0.52	1.5
Section D	39.7	115.5
Section E	39.7	115.5



Reticle Parameters



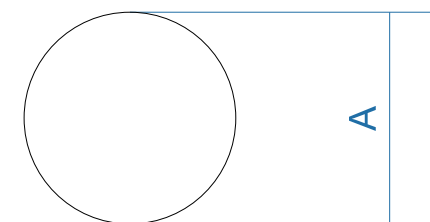
Saim Series

Thermal Imaging Scope

Model	MOA	cm @100m
Section A	0.52	1.5
Section B	7.7	22.5
Section C	42.8	124.5



Reticle Parameters

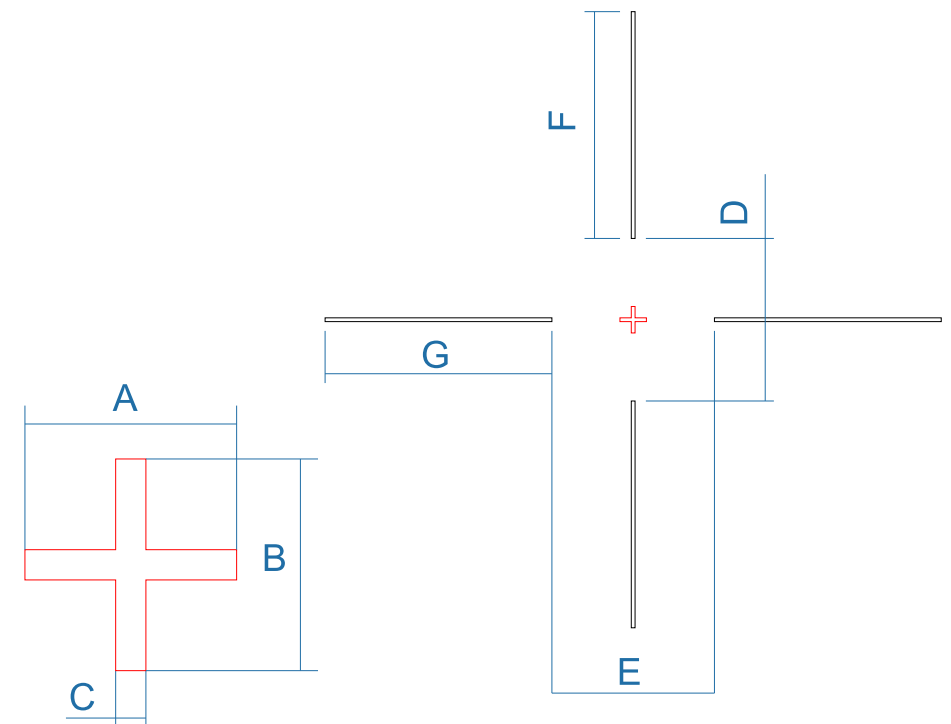


Model	MOA	cm @100m
SCH50	SCH50	SCH50
Section A	1.5	4.5

Saim Series
Thermal Imaging Scope



Reticle Parameters



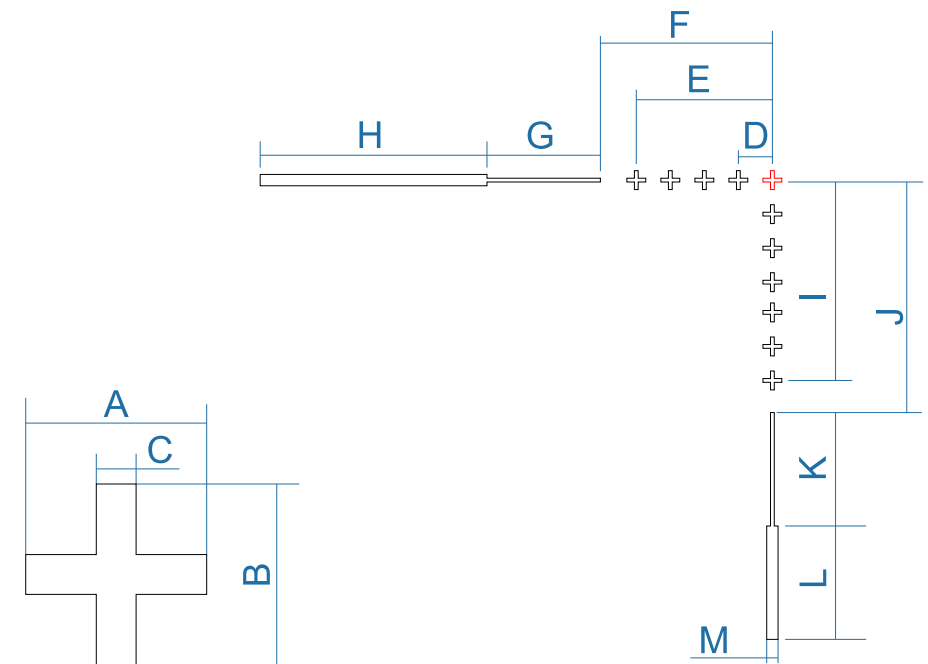
Saim Series

Thermal Imaging Scope

Model	MOA	cm @100m
Section A	3.6	10.5
Section B	3.6	10.5
Section C	0.52	1.5
Section D	25.3	73.5
Section E	25.3	73.5
Section F	39.7	115.5
Section G	39.7	115.5



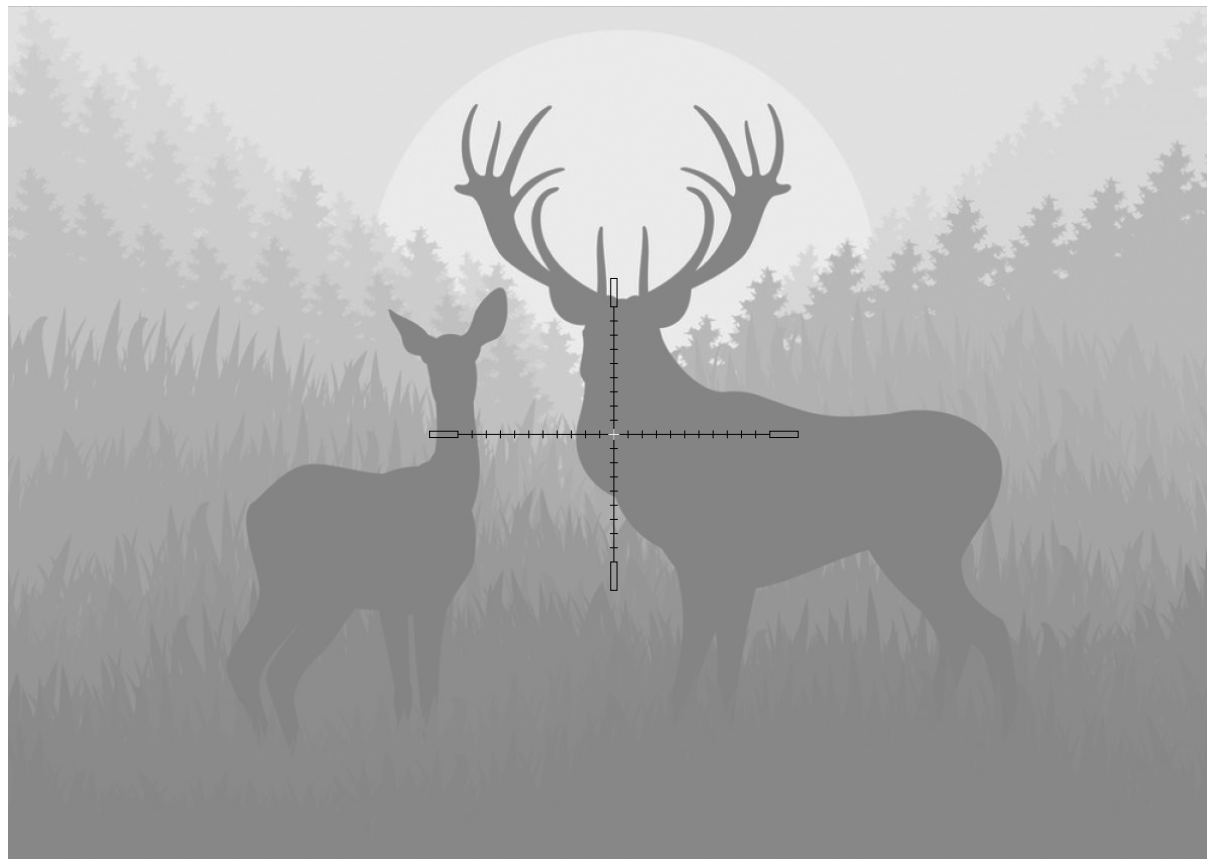
Reticle Parameters



Saim Series Thermal Imaging Scope

Model	MOA	cm @100m
Section A	3.6	10.5
Section B	3.6	10.5
Section C	0.52	1.5
Section D	7.2	21
Section E	28.9	84
Section F	36.1	105

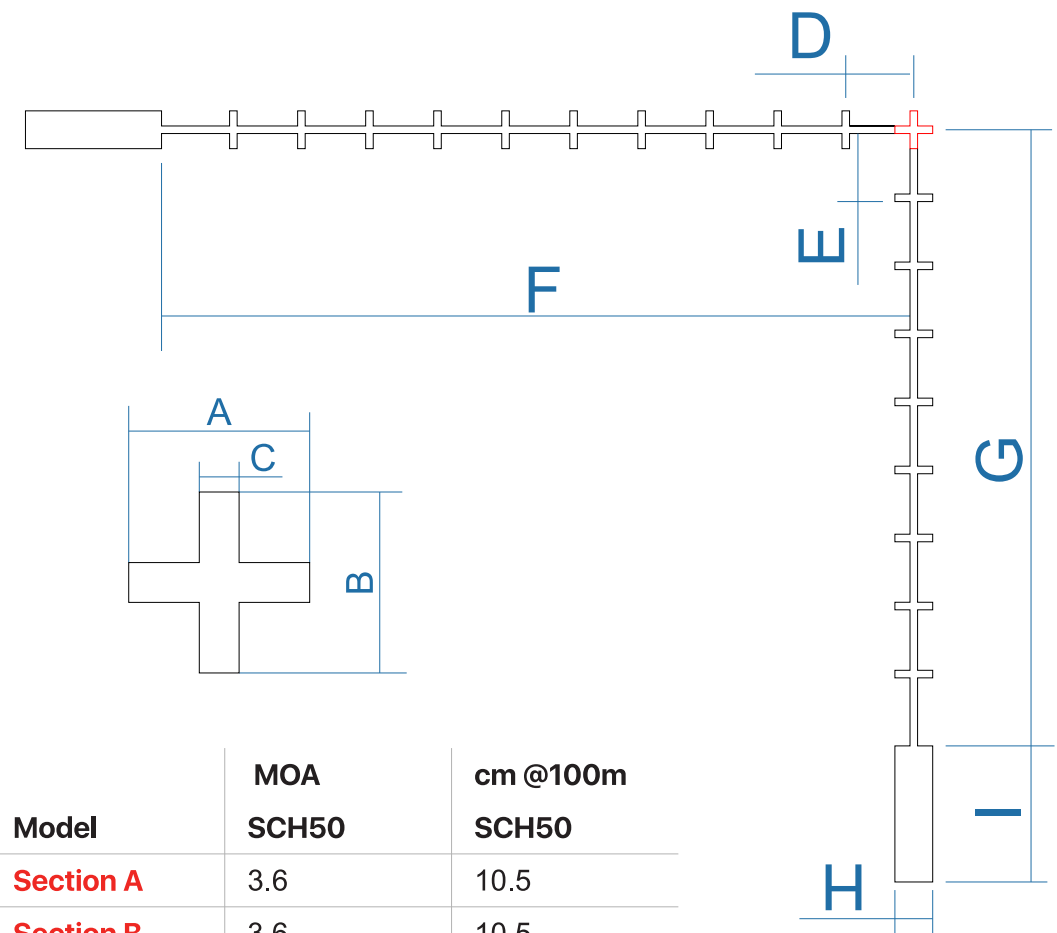
Model	MOA	cm @100m
Section G	18	52.5
Section H	39.7	115.5
Section I	43.3	126
Section J	50.5	147
Section K	18	52.5
Section L	21.6	63
Section M	1.56	4.5



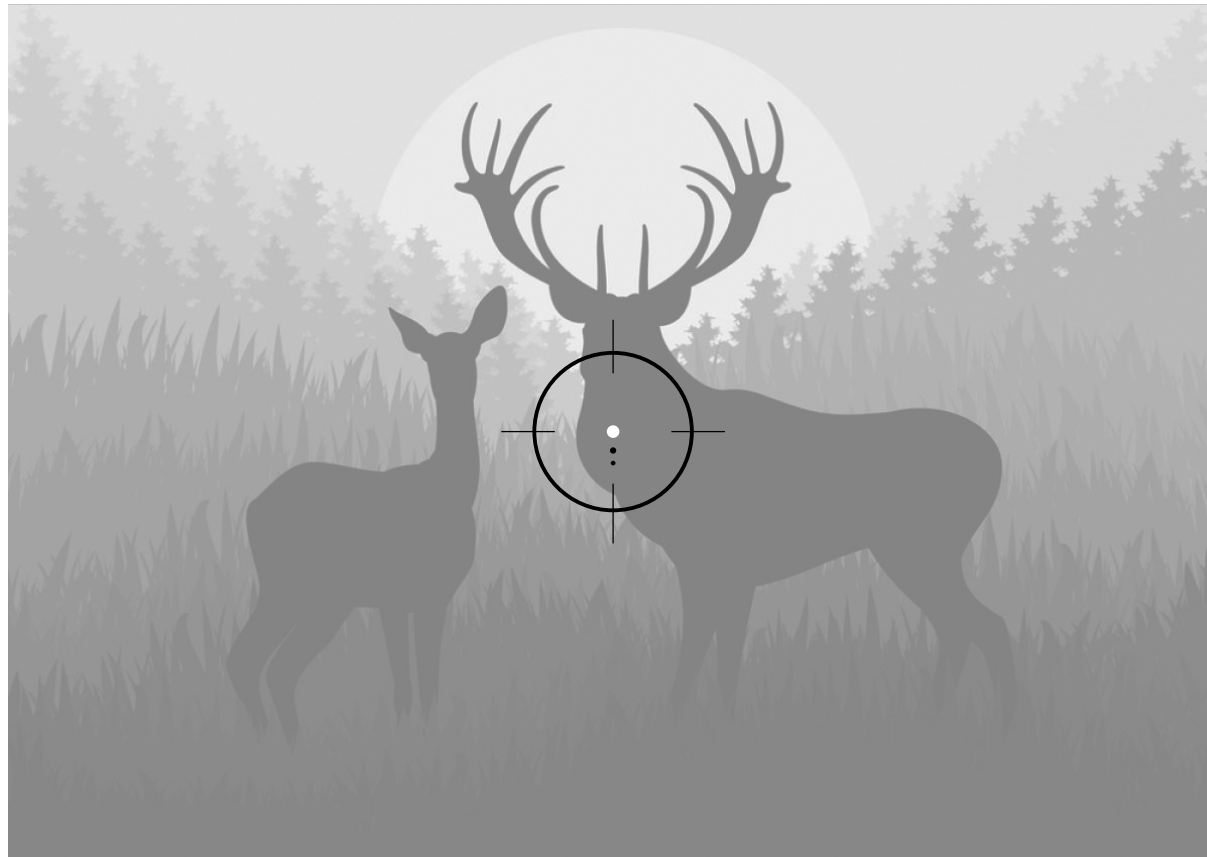
Saim Series

Thermal Imaging Scope

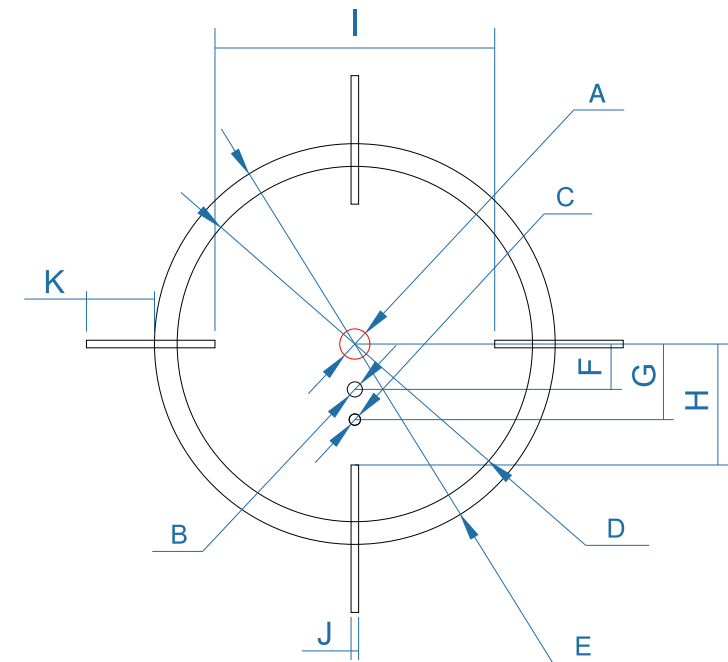
Reticle Parameters



Model	MOA	cm @100m
Section A	3.6	10.5
Section B	3.6	10.5
Section C	0.52	1.5
Section D	7.2	21
Section E	7.2	21
Section F	79.4	231
Section G	64.9	189
Section H	3.6	10.5
Section I	10.8	31.5



Reticle Parameters



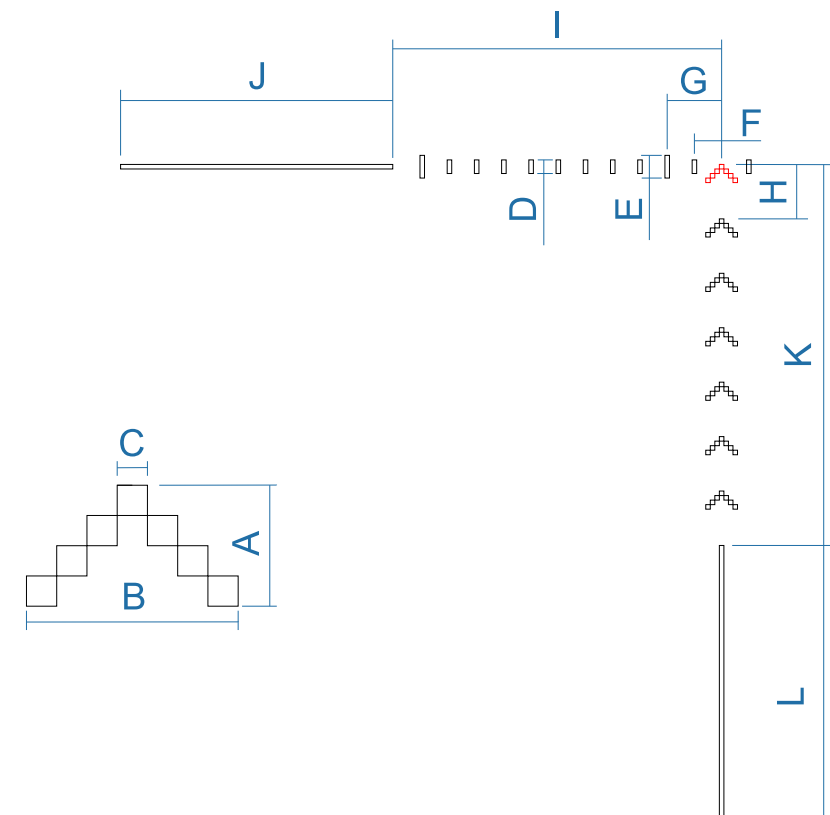
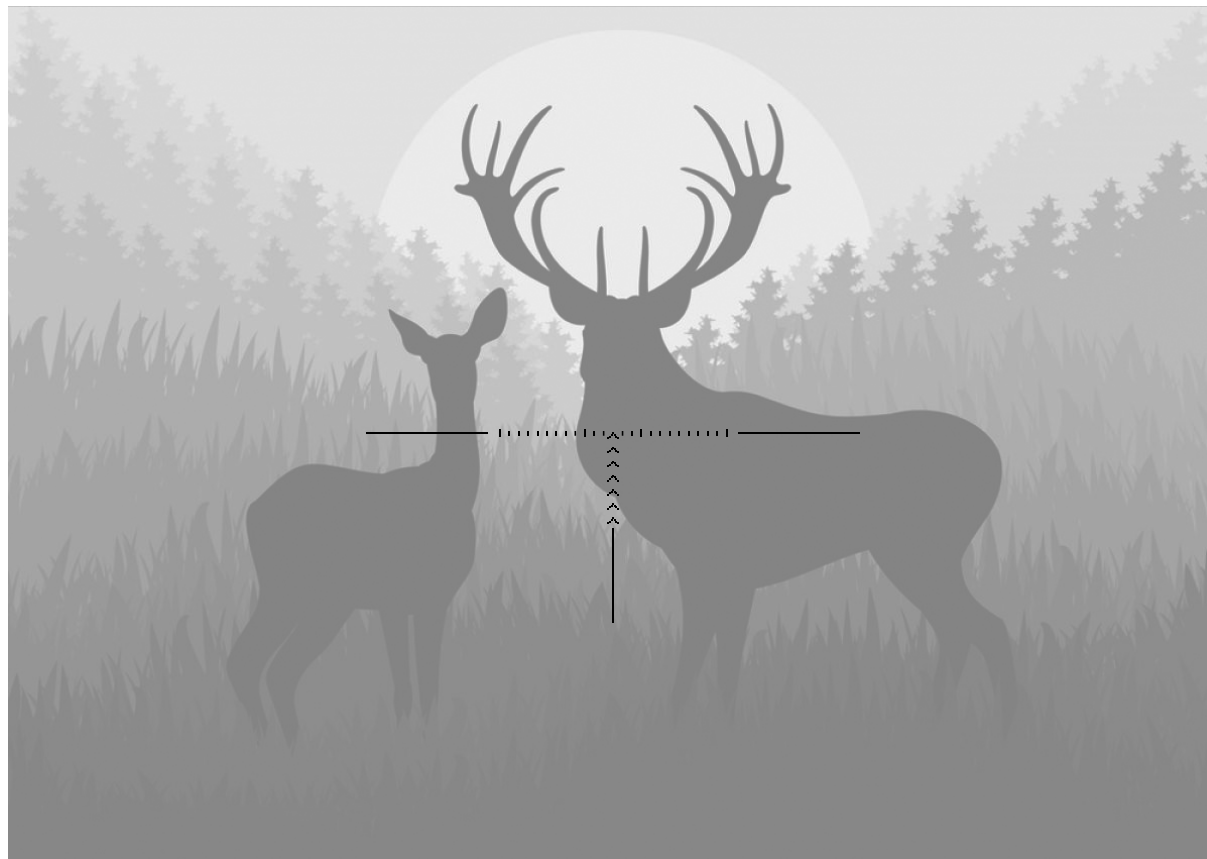
Saim Series Thermal Imaging Scope

Model	MOA	cm @100m
SCH50		
Section A	4.6	13.5
Section B	2.6	7.5
Section C	1.5	4.5
Section D	61.3	178.5
Section E	68.6	199.5
Section F	7.2	21

Model	MOA	cm @100m
SCH50		
Section G	14.4	42
Section H	21.6	63
Section I	50	145.5
Section J	1.56	4.5
Section K	10.8	31.5



Reticle Parameters



Saim Series Thermal Imaging Scope

Model	MOA	cm @100m
Section A	2.1	6
Section B	3.6	10.5
Section C	0.52	1.5
Section D	2.6	7.5
Section E	4.6	13.5
Section F	3.6	10.5

Model	MOA	cm @100m
Section G	7.2	21
Section H	7.2	21
Section I	43.3	126
Section J	39.7	115.5
Section K	50.5	147
Section L	39.7	115.5